



**VIVID**  
SOLAR STREET LIGHTING

☎ 02393 593000

✉ [enquiries@vividstreetlighting.co.uk](mailto:enquiries@vividstreetlighting.co.uk)



# HELIOS SOLAR STREETLIGHT



MONOCRYSTAL-  
LINE SOLAR  
MODULE



EFFICIENT  
CONTROLLER



BATTERY  
SYSTEM



CREE  
LED



ANTI-  
TYPHOON



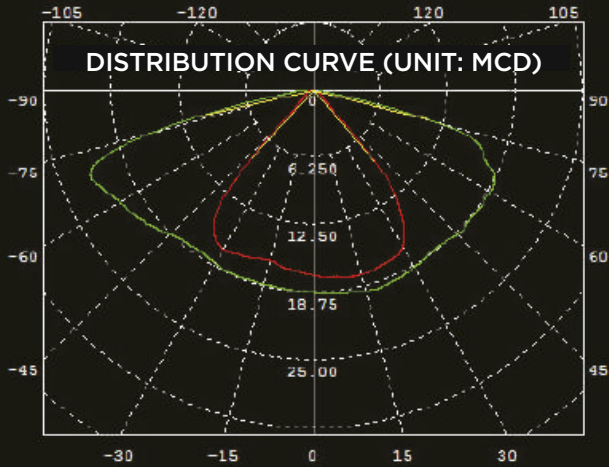
PIR MOTION  
SENSOR



IP65

[vividstreetlighting.com](http://vividstreetlighting.com)

# BAT WING LIGHT DISTRIBUTION CURVE



**DIM MODE  
(30%)**



**FULL BRIGHT  
(100%)**



**4M**  
MOUNTING  
HEIGHT

**5M**  
ILLUMINATION  
AREA

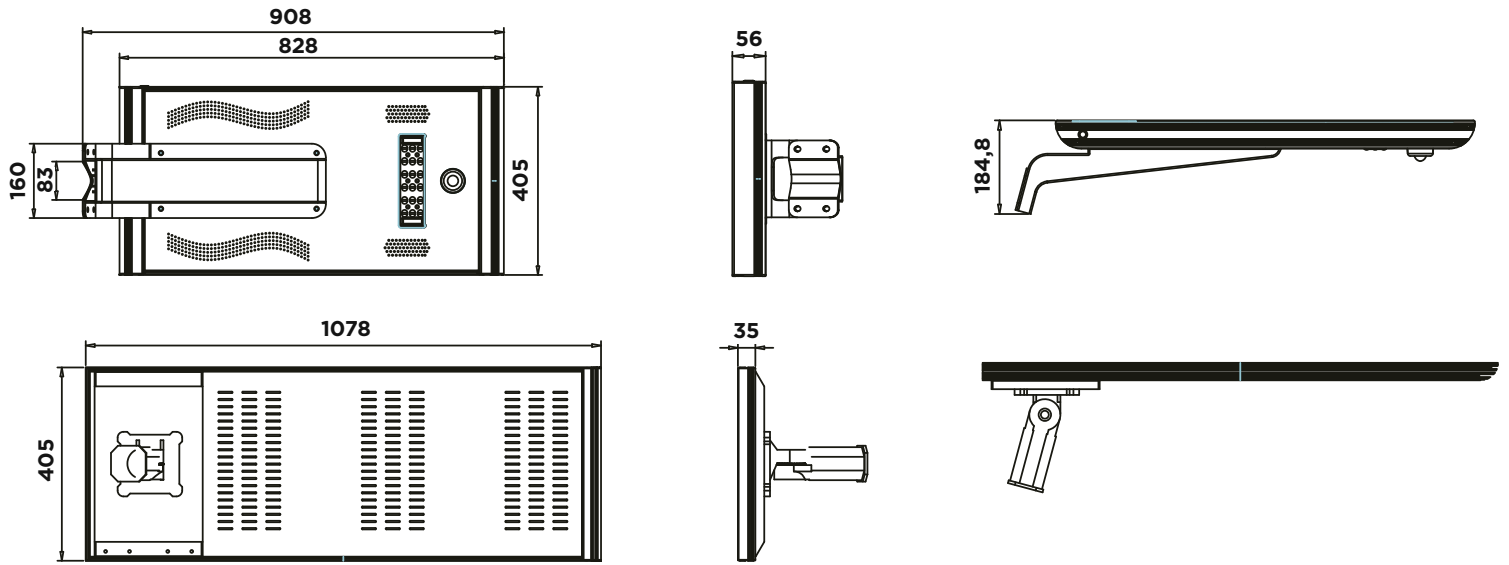
**16M**  
EAV: 12LUX  
(LRC60W-S2)

The Helios Solar Streetlight is fitted with an intelligent light controller that can be programmed for specific requirements

MODEL		LIGHTING DATA TABLE				RECOMMENDED HEIGHT
HELIOS	MOUNTING HEIGHT	3M	4M	5M	6M	
	ILLUMINATION AREA	15.5*4.5=70M <sup>2</sup>	16*5=80M <sup>2</sup>	17*5.5=93.5M <sup>2</sup>	18*6=108M <sup>2</sup>	
	EAV (lx)	14Lux	12Lux	11Lux	9Lux	

MODEL		HELIOS
<b>PHYSICAL PARAMETERS</b>		
LED BRAND		CREE
LED QTY		18
POWER OF PV MODULE (W)		80W
LIFEPO4 BATTERY CAPACITY (Ah)		42
PIR SENSOR		√
DIMENSION OF PRODUCT (MM)		908*405*56    1078*405*35
NET WEIGHT (KG)		30
DIMENSION OF CARTON (MM)		980*480*260    1230*480*260
GROSS WEIGHT (KG)		34
<b>LIGHT PARAMETERS</b>		
LIGHT OUTPUT (W)		20W
TYPICAL LUMINOUS FLUX (Lm)		2800
COLOUR TEMPERATURE (K)		2700-6500
BEAM ANGLE (°)		150° x 70°
MIN. WORKING TIME (HOURS)	FULL BRIGHT	13
	DIM MODE	80
<b>ENVIRONMENT PARAMETERS</b>		
CHARGING TEMPERATURE (°C)		0°C to +60°C
DISCHARGING TEMPERATURE (°C)		-20°C to +60°C
STORAGE TEMPERATURE (°C)		-20°C to +45°C
<b>INSTALLATION</b>		
RECOMMENDED DIA. OF TOP POLE (MM)		90
RECOMMENDED INSTALLATION HEIGHT (M)		4-6
RECOMMENDED INSTALLATION DISTANCE (M)		18-20

## PRODUCT SIZE



## WHY CHOOSE HELIOS SOLAR STREETLIGHT?



### CARBON NEUTRAL

Choose the greener option and reduce the planet's carbon emissions and avoid the future carbon-taxes.



### ZERO RUNNING COSTS

Solar-powered LED streetlights incur no running cost and can generate over 250 watts per hour through one solar panel.



### DUSK TO DAWN OPERATION

Our products feature a fully automated dawn-to-dusk operation, switching off at dawn and back on at dusk.



### CUSTOM LIGHT DESIGNS

Vivid's solar lights are both robust and aesthetically focussed, with custom designs that can be tailored to your specific application.



Unit H11  
Daedalus Drive  
Daedalus Park  
Lee-on-Solent  
PO13 9FX

02393 593000  
enquiries@vividstreetlighting.co.uk

[vividstreetlighting.com](http://vividstreetlighting.com)